

# GENEVA

## 135° Glass-to-Glass Hinge (5° Offset)

### CAT No. GEN545

*Maximum Door Capacities	3/8" (10mm) Glass		1/2" (12mm) Glass	
	Weight	Width	Weight	Width
Using 2 Hinges	80 lbs.(36 kg)	28"(711mm)	80 lbs.(36 kg)	28"(711mm)
Using 3 Hinges	120 lbs.(54 kg)	32"(813mm)	120 lbs.(54 kg)	32"(813mm)

\*NOTE: Do not exceed either maximum weight or width when choosing proper quantity of hinges.

## Important Information:

- 1) This hinge contains a dual degree pivot pin. The pivot pin is set for the door to close 5 degrees inwards from the normal closing position. You have the option of altering the closing position of the door 5 degrees (back to normal closing position) by utilizing the opposite side of the pivot pin, which has been pre-machined (see Section 3 of Cat. No. SDT20 Frameless Shower Door Guide for this procedure). Special order custom pivot pins are available (Cat. No. GENP1N) that can be machined at any angle up to 45 degrees.
- 2) The fixed panel measurements must be taken from the outside of the miter.

## Specifications:

**Glass Sizes:** 3/8" (10mm) to 1/2" (12mm) thick tempered safety glass  
**Construction:** Solid brass  
**Closing Type:** Self-centering when within 15° of closed position  
**Cutout Required**  
**Includes:** Gaskets, screws and template

## Use of Gaskets:

**For 3/8"(10mm) Glass:** Use one thick gasket on each side  
**For 1/2"(12mm) Glass:** Use one thin gasket on each side

## Recommendations:

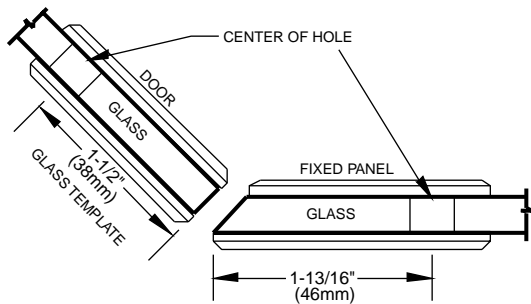
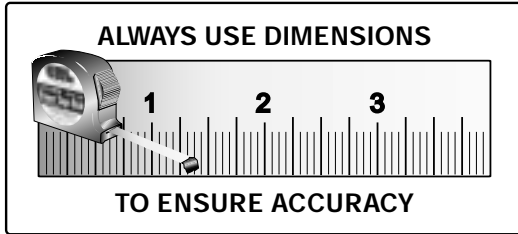
For public safety, we recommend the use of only tempered safety glass. Do not use power tools when installing these hinges.

## Maintenance Guidelines:

- Our hinges are greased at the factory for quiet and trouble-free operation. If there is any squeaking that occurs after installation, put a drop of "3 in 1 Oil" (also known as "household oil") on the white nylon washer that the hinge body pivots on. This washer is the component that acts as a buffer, so the body of the hinge doesn't pivot directly on the brass center block. This solution doesn't require the disassembly of the hinge.  
**Note: Do not use spray lubricant on these hinges.** If the hinge has been disassembled, upon re-assembly, use white lithium grease to lubricate the interior mechanism.
- Never use an abrasive cleaner on the hardware. Many of the components are coated with a clear lacquer that will be irreparably damaged if subjected to harsh, abrasive chemicals. Advise your customer that drying the hardware with a clean, soft towel on a daily basis is the best way to maintain the hardware. If mineral deposits build-up, mix a couple of drops of a mild liquid soap (such as Ivory or a similar product) into a cup of warm water. Using a soft, non-abrasive cloth, clean the hardware. Rinse thoroughly with clean, warm water and dry.



**C.R. LAURENCE CO., INC.**  
**PROFESSIONAL QUALITY**



# GENEVA

135° Glass-to-Glass Hinge (5° Offset)

CAT No. GEN545

